



**COMMERCIAL
PLUMBING PRODUCTS**



EXCEEDING YOUR EXPECTATIONSSM

Commercial Plumbing Products: Table of Contents

FIXTURES SECTION

<i>PRODUCT CATEGORY</i>	<i>PAGE</i>
High Efficiency Urinals	2
Two-Piece Toilets	2
High Efficiency Toilets (HET)	3-4
Elementary Toilets	4
Toilet Seats	5
Flush-Valve Toilets	5
Wall-Mount Lavatories	6
Countertop Lavatories	7
Undercounter Lavatories	8
Stainless Steel Sinks	9-10
Floor and Laundry Sinks and Accessories	11
Molded Basins and Accessories	12-13
Enameled Steel Tubs	14

FAUCETS SECTION

Heavy Duty Commercial Faucets	15
Lavatory Faucets	16-17
Bar Faucets	17
Kitchen Faucets	18-19
Service Faucets	19-21

ROUGH SECTION

Bath and Shower Accessories	22
Access Doors	23
Sink and Drain Accessories	23-24
Trap Primers and Accessories	25
Lavatory Supply Kits	25
Closet Supply Kits	26
Heavy Pattern Supply Kits	26
ADA Lavatory Supply Kit	26
Individual Stops	27
Heavy Individual Stops	27
Water Hammer Arrestors	28
No-Hub Couplings	29

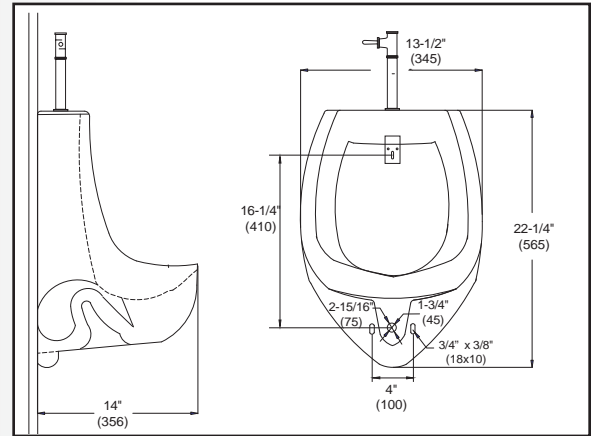
Dimensions may vary (+) or (-) 1/4". Numbers in () are mm.

High Efficiency Urinals



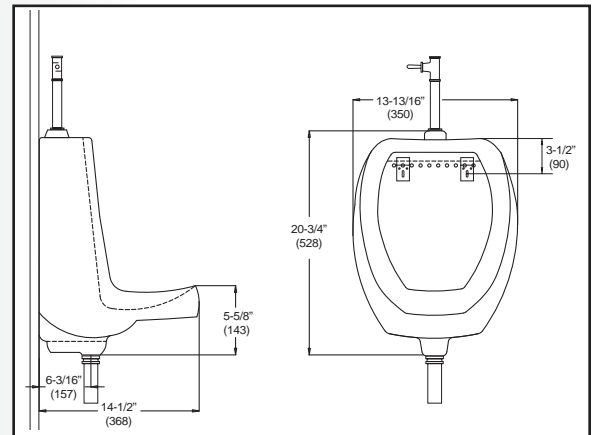
PF1815WH

- High efficiency 0.5-1.0 gpf / 1.9-3.8 Lpf
- Rear outlet
- Integral flushing rim and trap
- Siphon-jet flushing action
- 3/4" (19mm) top inlet spud
- 2" (51mm) NPT inside thread outlet
- Hanging brackets included
- Flush valve not included
- Available in white (WH) only
- ADA compliant*



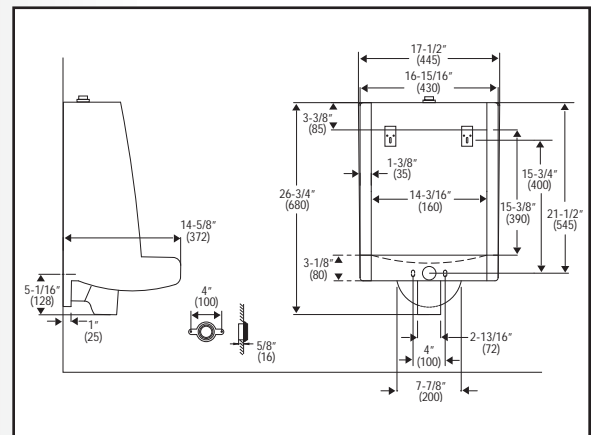
PF1805WH

- High efficiency 0.5-1.0 gpf / 1.9-3.8 Lpf
- Bottom outlet
- Integral flushing rim and strainer
- Wash-out flushing action
- 3/4" (19mm) top inlet spud
- 1-1/2" (38.1mm) outlet for exposed trap connection
- Wall-hanging brackets included
- Flush valve not included
- Available in white (WH) only
- ADA compliant*



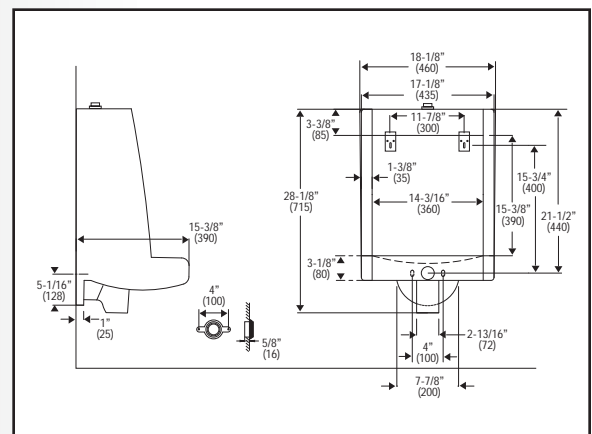
PF1825WH

- High efficiency 0.5-1.0 gpf / 1.9-3.8 Lpf
- Half stall, rear outlet
- Integral flushing rim and trap
- Wash-out flushing action
- 3/4" (19mm) top inlet spud
- 2" (51mm) NPT inside thread outlet
- Hanging brackets included
- Flush valve not included
- Available in white (WH) only
- ADA compliant*



PF1835WH

- High efficiency 0.5-1.0 gpf / 1.9-3.8 Lpf
- Half stall, rear outlet
- Integral flushing rim and trap
- Siphon-jet flushing action
- 3/4" (19mm) top inlet spud
- 2" (51mm) NPT inside thread outlet
- Hanging brackets included
- Flush valve not included
- Available in white (WH) only
- ADA compliant*



*All products listed as ADA compliant meet ADA requirements as stated in the American Disabilities Act when installed in accordance with ADA guidelines.



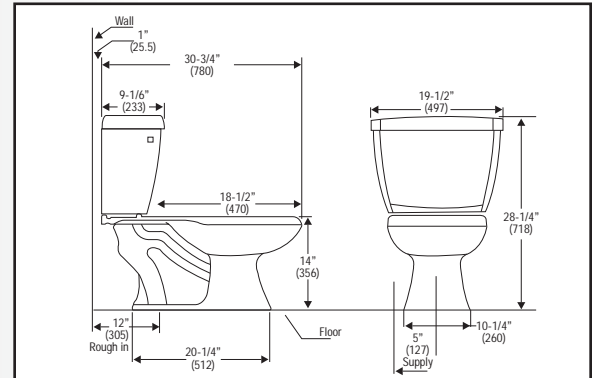
Dimensions may vary (+) or (-) 1/4". Numbers in () are mm.

High Efficiency Toilets



PF1601PAWH, PF1612PAWH (bowl & tank)

- Elongated bowl
- Uses 35% less water than standard low-consumption toilets
- 1.0 gpf/3.79 Lpf high efficiency with **Pressure Assist**
- Sloan **FLUSHMATE IV** System
- Siphon-jet flushing action
- Large 13-1/2" x 11" (342.9mm x 279.4mm) water surface
- 2" (51mm) fully-glazed trapway
- EPA WaterSense certified
- Anti-siphon ballcock prevents back-siphoning
- RH trip lever tanks available (PF1612PARWH)
- Available in white (WH) only
- Locking tank available (PF1612PALWH)



PF1603WH

- 17" (432mm) ADA compliant* bowl height

PF1600PAWH

- Round Front bowl

PF1605PAWH

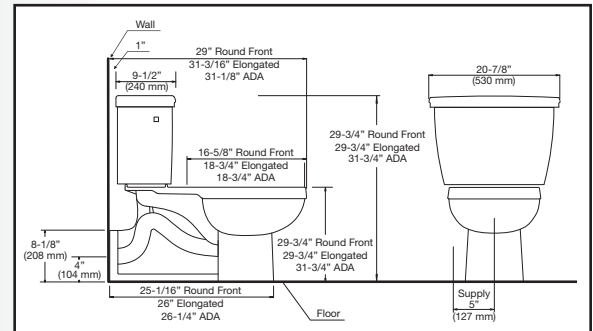
- Elongated bowl
- Floor mount back outlet

PF1604PAWH

- Round Front bowl
- Floor mount back outlet

PF1606PAWH

- 17" (432mm) ADA compliant* bowl height
- Floor mount back outlet

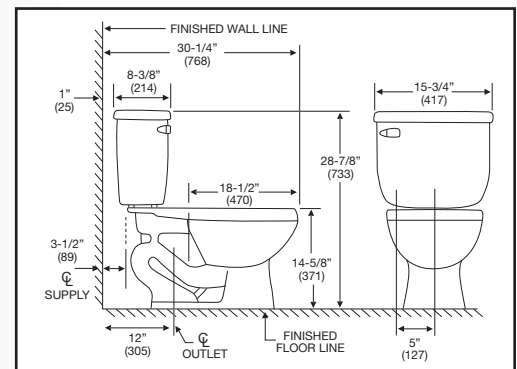


PF9301JWH, PF9312WH (bowl & tank)

- Elongated bowl
- Dual-flush, high efficiency 1.6 gpf / 6.0 Lpf or 1.1 gpf / 4.16 Lpf
- Gravity-fed box rim
- 9" x 7" (228.6mm x 177.8mm) water surface
- 2" (51mm) glazed trapway
- Color-matched trip lever
- EPA WaterSense certified
- Available with 10", 12" or 14" RI, RH trip lever or insulated tank

PF9303JWH

- 17" (432mm) ADA compliant* bowl height
- Available in white (WH) only

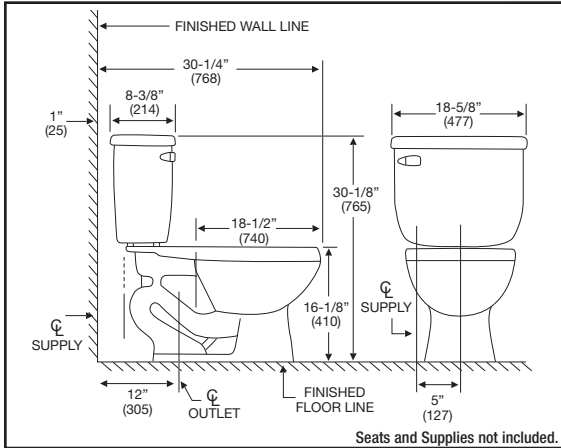


*All products listed as ADA compliant meet ADA requirements as stated in the American Disabilities Act when installed in accordance with ADA guidelines.



High Efficiency Toilets

Dimensions may vary (+) or (-) 1/4". Numbers in () are mm.



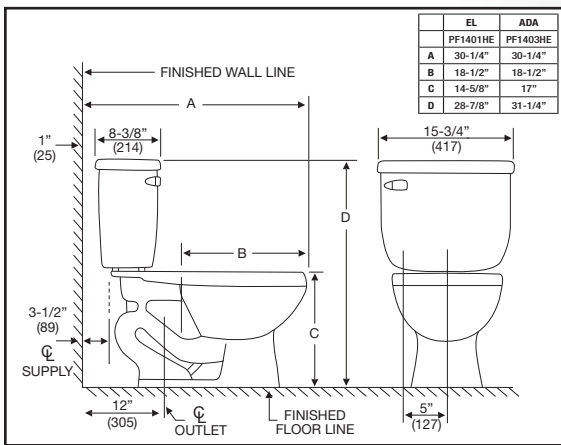
PF9401WH, PF9412WHC (bowl & tank)

- Elongated bowl
- Uses 20% less water than standard low-consumption toilets
- High efficiency 1.28 gpf /4.85 Lpf
- High performance 3" (76.2mm) flush valve
- Gravity-fed, double-jetted box rim
- 8-1/2" x 7" (215.9mm x 177.8mm) water surface
- 2" (51mm) glazed trapway
- EPA WaterSense certified
- Available in white (WH) and Biscuit (BS)
- Available with 10", 12" or 14" RI, RH trip lever or insulated tank
- Locking tank available (PF9412LWH)



PF9403WH

- 17" (432mm) ADA compliant* bowl height



PF1401HE, PF5112HE (bowl & tank)

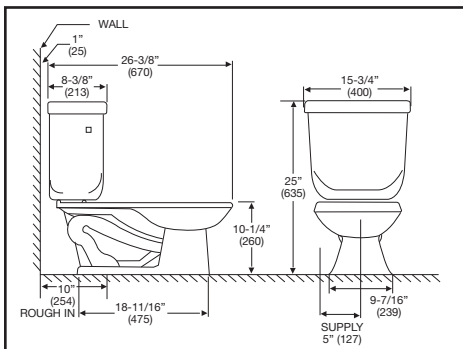
- Elongated bowl
- Uses 20% less water than standard low-consumption toilets
- High efficiency 1.28 gpf /4.85 Lpf
- High performance 3" (76.2mm) flush valve
- Color-matched trip lever.
- Anti-siphon fill valve.
- 8" x 9" (203.3mm x 190mm) water surface
- 2" (51mm) glazed trapway
- EPA WaterSense certified
- Available with 10", 12" or 14" RI, RH trip lever or insulated tank



PF1403HE

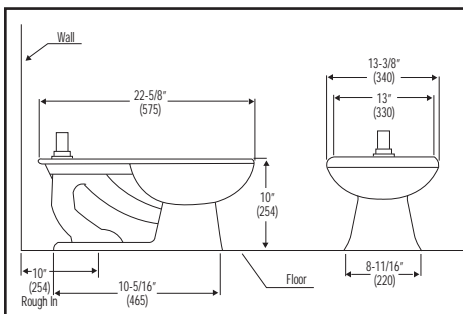
- 17" (432mm) ADA compliant* bowl height
- Available in white (WH) and biscuit (BS)

Elementary Toilets



PF1704BBWH, PF1712BBWH (bowl & tank)

- Round front bowl
- 1.6 gpf / 6.0 Lpf gravity fed
- Siphon-jet flushing action
- 10-1/4" (260mm) high bowl for child use
- 10" (254mm) rough-in
- 3" (76.2mm) flush valve
- Sanitary bar on bowl
- Two-bolt tank-to-bowl installation
- Available in white (WH) only
- Locking tank available (PF1712BBLWH)



PF1700BB

- Flush valve round-front bowl
- 10" (254mm) high bowl
- 1.6 gpf/6.0 Lpf



Dimensions may vary (+) or (-) 1/4". Numbers in () are mm.

Toilet Seats



PFTSBB1000WH

- For use with elementary bowls PF1704BB and PF1700BB
- Round front only
- Available in white (WH) only



PFTSCOF2000WH

PFTSCOFH2000WH - Extra Heavy Duty

PFTSCOFA2000WH - Anti-Microbial

PFTSCOF2000BL - Black

PFTSCOFE2000WH - Standard Check Hinge

- Elongated open-front less cover
- Heavy-weight molded solid plastic
- 304 Series stainless hardware
- Molded in color-matched bumpers
- Slip-resistant pads
- Self-sustaining check hinge



PFTSCOFC2000WH - Open Front with cover

Heavy weight molded solid plastic seat.

Molded in color matched bumpers

Flush-Valve Toilets

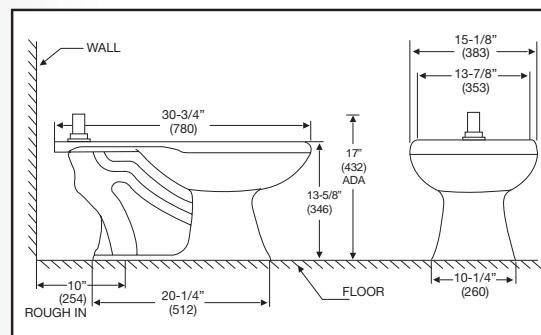


PF1721WH

- Elongated bowl
- High efficiency 1.28 gpf / 4.85 Lpf
- Uses 20% less water than 1.6 gpf / 6.0 Lpf toilets
- Siphon-jet flushing action
- 1-1/2" (38.1mm) top inlet spud
- 12-1/4" x 11-1/4" (311mm x 286mm) water surface
- Compatible with 1.28 gpf, 1.6 gpf and Dual Flush flush valves
- Available in white (WH) only

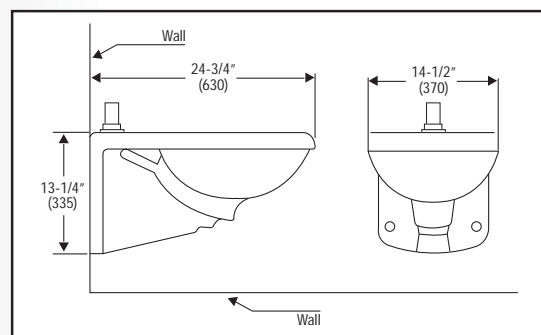
PF1723WH

- 17" (432mm) ADA compliant* bowl height
- Available in white (WH) only



PF1731WH

- Elongated bowl
- High efficiency 1.28 gpf / 4.85 Lpf
- Uses 20% less water than 1.6 gpf / 6.0 Lpf toilets
- Siphon-jet flushing action
- 1-1/2" (38.1mm) top inlet spud
- 12 x 10" (305mm x 254mm) water surface
- Compatible with 1.28 gpf, 1.6 gpf and Dual Flush flush valves
- ADA compliant*
- Available in white (WH) only

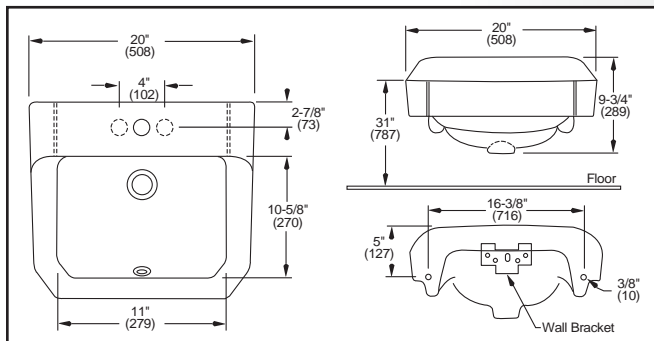


*All products listed as ADA compliant meet ADA requirements as stated in the American Disabilities Act when installed in accordance with ADA guidelines.



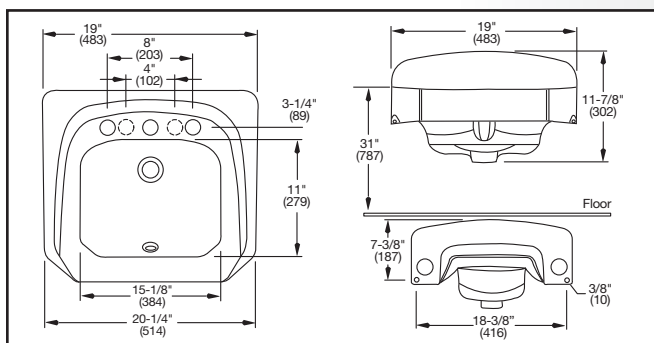
Wall-Mount Lavatories

Dimensions may vary (+) or (-) 1/4". Numbers in () are mm.



PF5411 - Single faucet drilling PF5414 - 4" (102 mm) centers

- 19" x 17" (483mm x 432mm) lavatory
- 4" (102mm) centers
- Anti-splash rim
- Concealed front overflow
- Includes wall bracket
- ADA compliant*
- Available in white (WH) only



PF5511 - Single faucet drilling PF5514 - 4" (102mm) centers PF5518 - 8" (203mm) centers

- 20" x 18" (508mm x 457mm) lavatory
- High backsplash
- Concealed front overflow
- Concealed arm carrier connection (not included)
- Includes wall bracket
- ADA compliant*
- Available in white (WH) only



Dimensions may vary (+) or (-) 1/4". Numbers in () are mm.

Countertop Lavatories

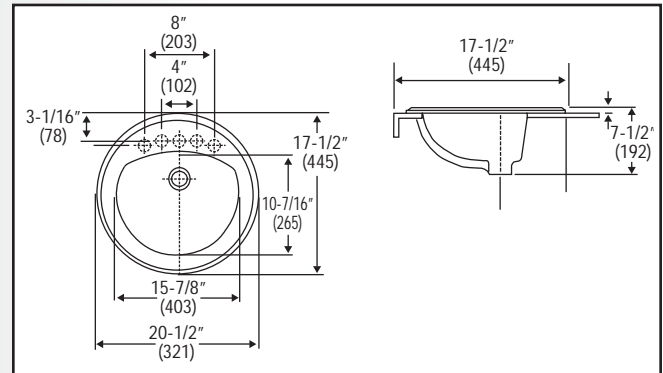


PF20171 - 1-hole in white only

PF20174 - 4" (102mm) centers

PF20178 - 8" (203mm) centers

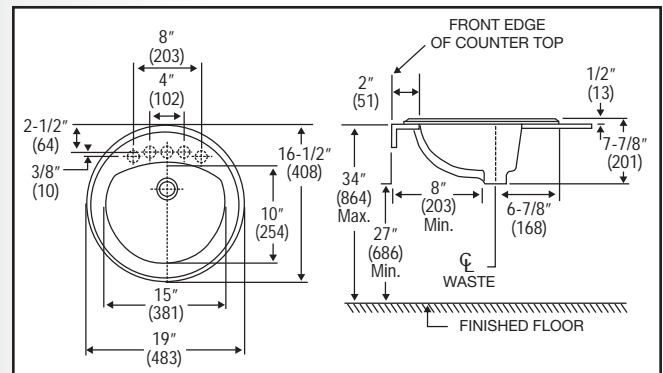
- Vitreous china
- 20-1/2" x 17-1/2" (521mm x 445mm) outside dimensions, self-rimming
- Concealed front overflow
- Can be mounted for ADA installation*
- Available in white (WH) and biscuit (BS)



PF19164 - 4" (102mm) centers

PF19168 - 8" (203mm) centers (white only)

- Vitreous china
- 19" x 16" (483mm x 406mm) outside dimensions, self-rimming
- Concealed front overflow
- Can be mounted for ADA installation*
- Available in white (WH) and biscuit (BS)

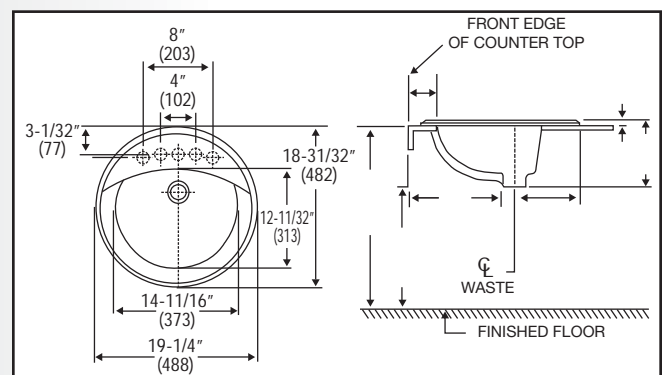


PF191R - 1-hole in white only

PF194R - 4" (102mm) centers

PF198R - 8" (203mm) centers

- Vitreous china
- 19-1/4" (488mm) outside dimension, round self-rimming
- Concealed front overflow
- Can be mounted for ADA installation*
- Available in white (WH) and biscuit (BS)

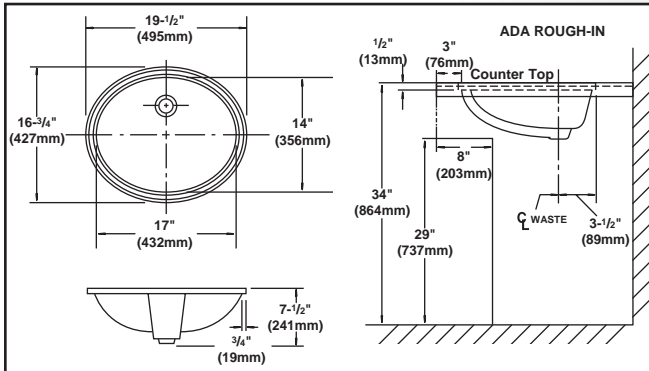


*All products listed as ADA compliant meet ADA requirements as stated in the American Disabilities Act when installed in accordance with ADA guidelines.



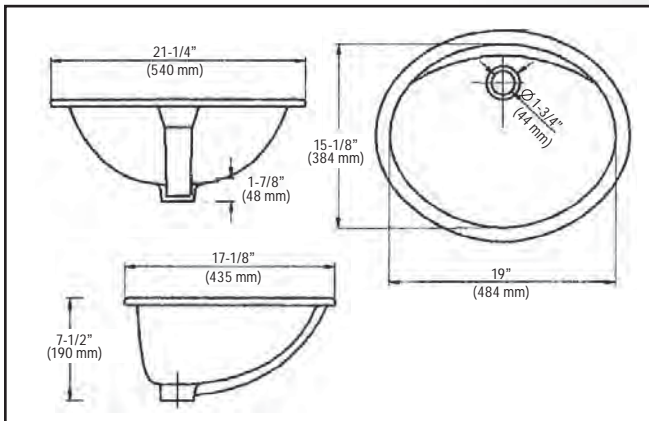
Undercounter Lavatories

Dimensions may vary (+) or (-) 1/4". Numbers in () are mm.



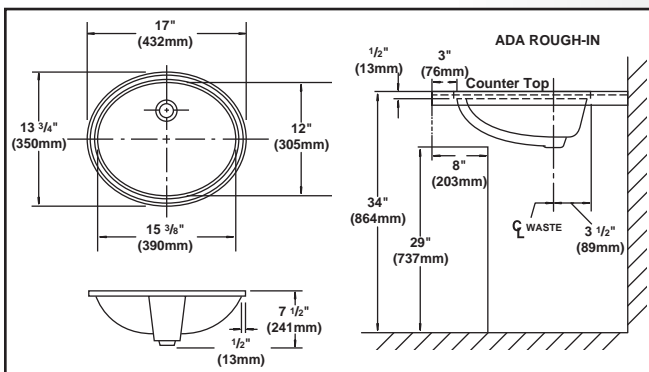
PF1714U

- Vitreous china
- 16-3/4" x 14" (427mm x 356mm) reveal
- Concealed front overflow
- Mounting clips included
- Interior depth: 6-1/2" (165.1mm)
- Can be mounted for ADA installation*
- Available in white (WH) and biscuit (BS)



PF1915UWH

- Vitreous china
- 19" x 15" (reveal)
- Oval undercounter lavatory
- Concealed front overflow
- Can be mounted for ADA installation
- Mounting clips included
- Available in white (WH) and biscuit (BS)



PF1512U

- Vitreous china
- 15-3/8" x 12" (390mm x 305mm) reveal
- Concealed front overflow
- Mounting clips included
- Interior depth: 5-3/4" (146mm)
- Can be mounted for ADA installation*
- Available in white (WH) and biscuit (BS)



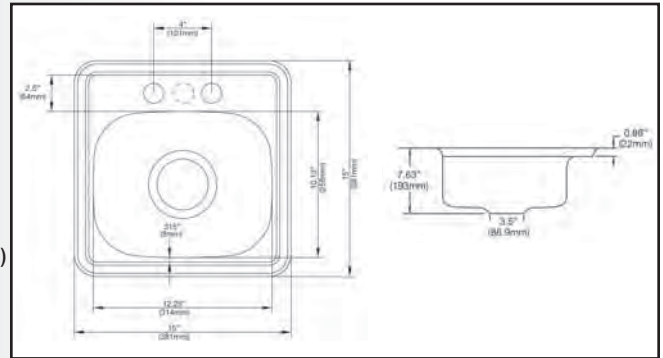
Dimensions may vary (+) or (-) 1/4". Numbers in () are mm.

Drop-In Stainless Steel Sinks

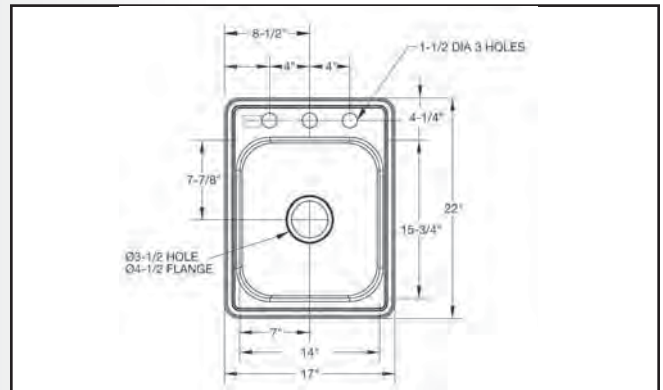
Self-rimming Undercoated and padded for sound absorption Sink Clips Included Basket strainer sold separately



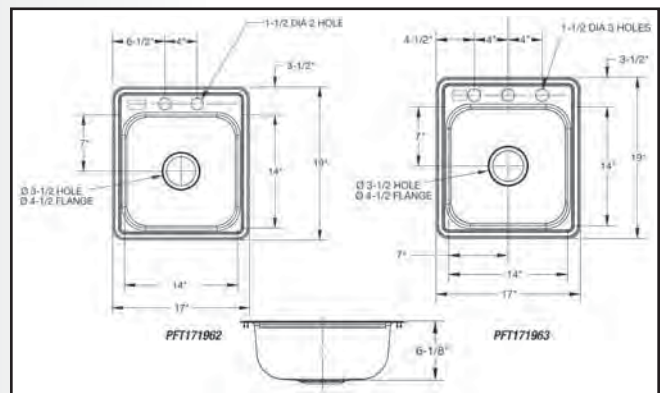
PFT151561
1-hole 6" (152mm) 22-gauge
PFT151562
2-hole 6" (152mm) 22-gauge
Drop-In stainless steel single bowl sink.
Overall Size: 15" x 15" (381mm x 381mm)
Bowl size: 12-1/4" x 10-1/2" (311mm x 267mm)



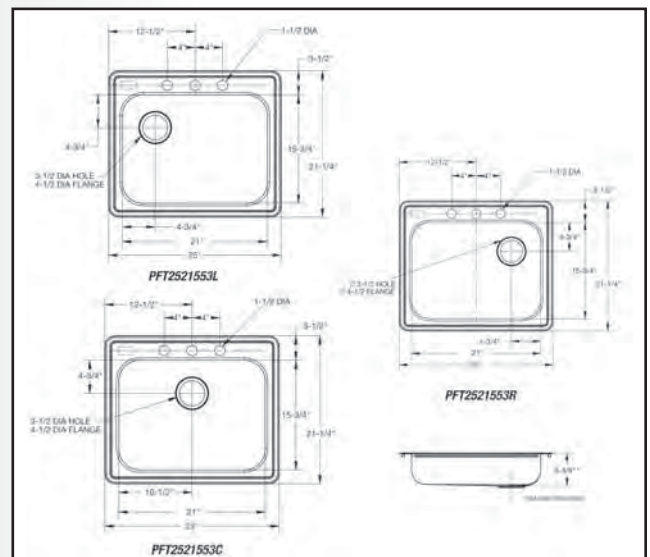
PFT172273
3-hole 7" (177mm) 22-gauge
Drop-In stainless steel single bowl sink.
Overall Size: 17" x 22" (432mm x 559mm)
Bowl size: 14" x 15-3/4" (355mm x 399mm)



PFT171963
3-hole 6-1/8" (155mm) 22-gauge
Drop-In stainless steel single bowl sink.
Overall Size: 17" x 19" (432mm x 482mm)
Bowl size: 14" x 14" (355mm x 355mm)
PFT171962
2-hole 6-1/8" (155mm) 22-gauge



PFT2521553C
OS, 3-hole 5-1/2" (140mm) 22-gauge
PFT2521553L
LH, 3-hole 5-1/2" (140mm) 22-gauge
PFT2521553R
RH, 3-hole 5-1/2" (140mm) 22-gauge
Drop-In stainless steel single bowl sink.
Overall Size: 25" x 21-1/4" (635mm x 540mm)
Bowl size: 21" x 15-3/4" (533mm x 400mm)



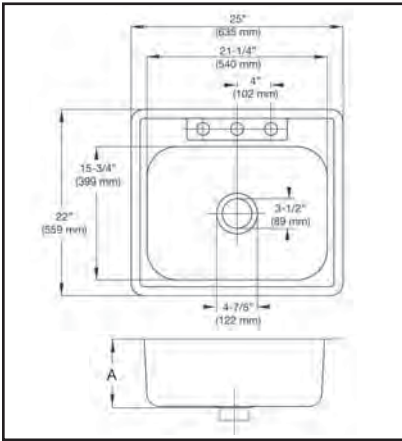
*All products listed as ADA compliant meet ADA requirements as stated in the American Disabilities Act when installed in accordance with ADA guidelines.



Drop-In Stainless Steel Sinks

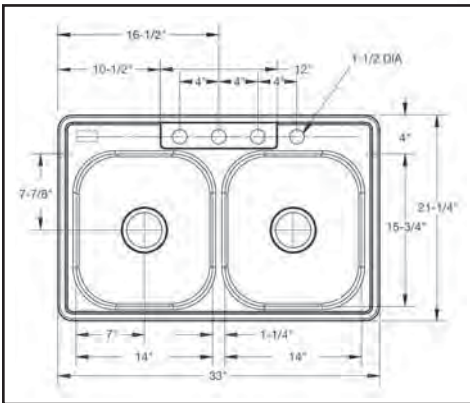
Dimensions may vary (+) or (-) 1/4". Numbers in () are mm.

Self-rimming Undercoated and padded for sound absorption Sink Clips Included Basket strainer sold separately



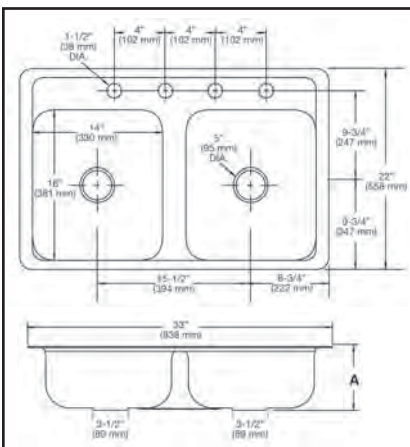
- PFT252263** - 3-hole 6" (152mm) 22-gauge
- PFT252264** - 4-hole 6" (152mm) 22-gauge
- PFT252263BP** - 3-hole 6" (152mm) 23-gauge 50 pack
- PFT252264BP** - 4-hole 6" (152mm) 23-gauge 50 pack
- PFT2522653** - 3-hole 6.5" (165mm) 22-gauge
- PFT2522654** - 4-hole 6.5" (165mm) 22-gauge
- PFT252273** - 3-hole 7" (177mm) 20-gauge
- PFT252274** - 4-hole 7" (177mm) 20-gauge
- PFT252283** - 3-hole 8" (208mm) 20-gauge
- PFT252284** - 4-hole 8" (208mm) 20-gauge

Drop-In stainless steel single bowl sink.
Overall size: 25" x 22" (635mm x 559mm)
Bowl size: 21-1/4" x 15-1/2" (540mm x 394mm)



- PFT3321653**
3-hole 6-1/2" (165mm) 22-gauge
- PFT3321654**
4-hole 6-1/2" (165mm) 22-gauge

Drop-In stainless steel double bowl sink.
Overall Size: 33" x 21-1/4" (838mm x 540mm)
Bowl size: 14" x 15-3/4" (356mm x 399mm)



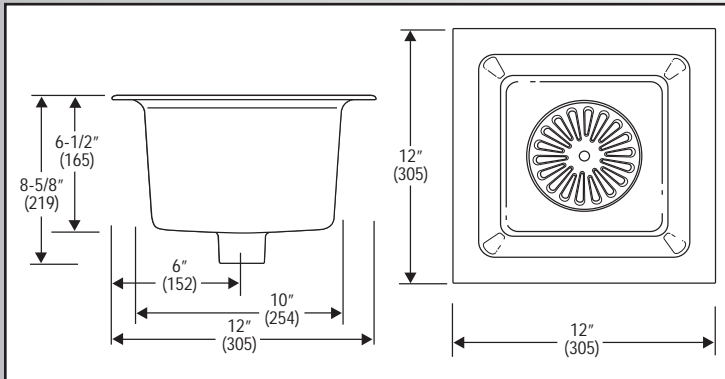
- PFT332263** - 3-hole 6" (152mm) 22-gauge
- PFT332264** - 4-hole 6" (152mm) 22-gauge
- PFT332263BP** - 3-hole 6" (152mm) 23-gauge 50 pack
- PFT332264BP** - 4-hole 6" (152mm) 23-gauge 50 pack
- PFT3322653** - 3-hole 6.5" (165mm) 22-gauge
- PFT3322654** - 4-hole 6.5" (165mm) 22-gauge
- PFT332273** - 3-hole 7" (177mm) 20-gauge
- PFT332274** - 4-hole 7" (177mm) 20-gauge
- PFT332283** - 3-hole 8" (208mm) 20-gauge
- PFT332284** - 4-hole 8" (208mm) 20-gauge

Drop-In stainless steel double bowl sink.
Overall size: 33" x 22" (838mm x 559mm)
Bowl size: 14" x 16" (356mm x 406mm)



Dimensions may vary (+) or (-) 1/4".
Numbers in () are mm.

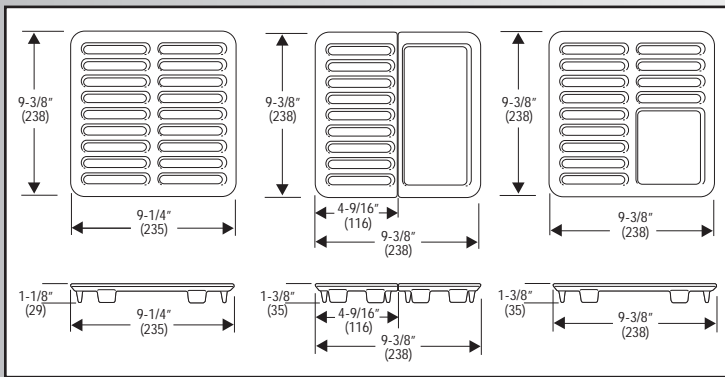
Floor and Laundry Sinks and Accessories



- PF906K** - 12"X12" (305mm x 305mm)
2" (50.8mm) NH connection
- PF906M** - 12"X12" (305mm x 305mm)
3" (76.2mm) NH connection
- PF906P** - 12"X12" (305mm x 305mm)
4" (101.6mm) NH connection
- PF906B** - floor sink basket
- PFADS** - Aluminum Dome Strainer



- White cast iron floor sink



- PF910** - Full top grate
- PF912** - Half top grate
- PF934** - Three-quarter top grate
- PF912S** - Split half top grate



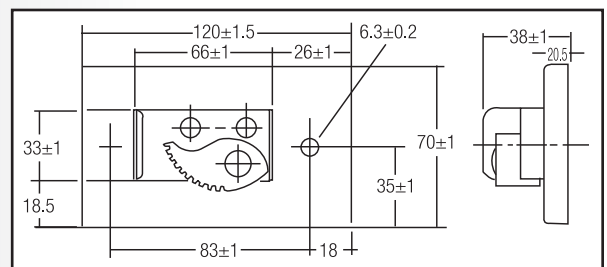
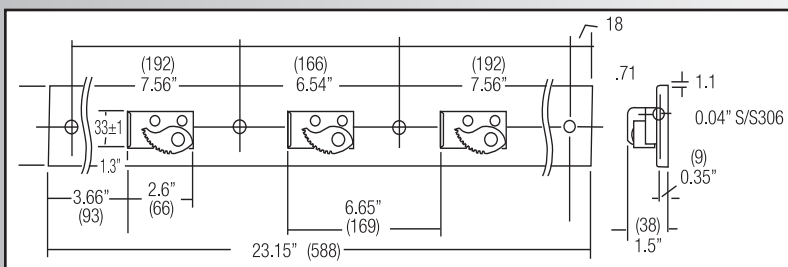
- White porcelain top grate



PF245
• Mop hanger for service sink

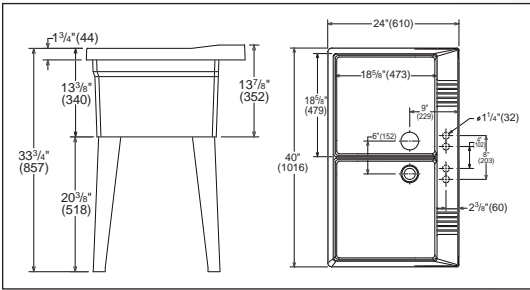


PF296
• Single hose bracket for service sink
• For use with service sink hose PFSSHE (see pg. 23)



Molded Basins and Receptors

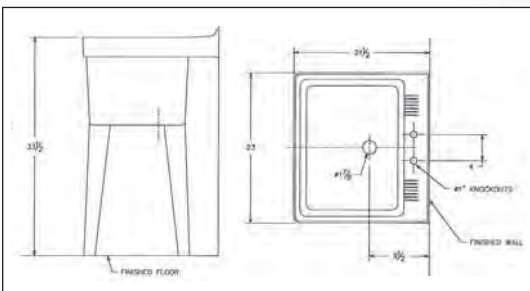
Dimensions may vary (+) or (-) 1/4".
Numbers in () are mm.



PFLT4024 - Floor Mounted Double Compartment Sink
PFLT4024W - Wall Mounted Double Compartment Sink*

*Wall-mounting hardware and filler panels included

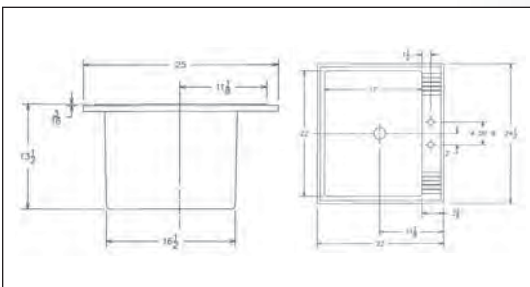
Made from a Sheet Molding Compound (SMC), to create a laundry tub with unparalleled strength. Floor-mounted units are equipped with white baked enamel steel angle legs with leveling devices. 4" or 8" knock-out center set faucet holes.



PFLT2123 - Floor Mounted Multi-Purpose Sink
PFLT2123W - Wall Mounted Multi-Purpose Sink*

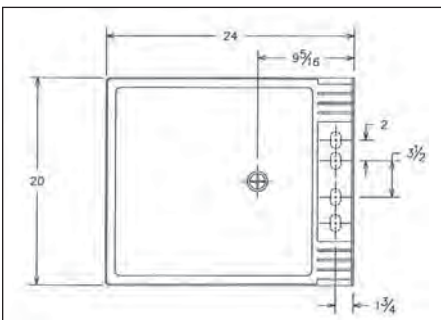
*Wall-mounting hardware and filler panels included

Made from a Sheet Molding Compound (SMC), to create a laundry tub with unparalleled strength. Floor-mounted units are equipped with white baked enamel steel angle legs with leveling devices. 4" knock-out center set faucet holes.



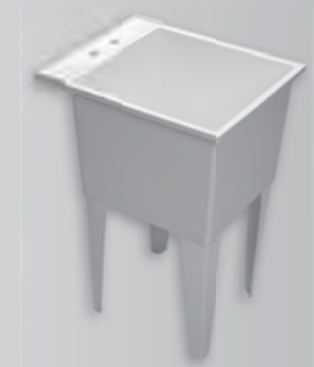
PFLT2522D - Drop-in Laundry Sink 24-1/2" x 22"

Self-rimming design. Made from a Sheet Molding Compound (SMC), to create a laundry tub with unparalleled strength. Available in white only. Drain size: 1-1/2"
Inside dimensions: 22-1/8" x 17" x 12-3/4"



PFLT2024 - Floor Mounted Multi-Purpose Sink

Single compartment, multi-purpose sink . Polypropylene construction with integral strainer. Equipped with white baked enamel steel angle legs with leveling devices. 4" or 8" knock-out center set faucet holes.



Dimensions may vary (+) or (-) 1/4".
Numbers in () are mm.

Molded Basins and Receptors



- PFMB2424S** - Mop Service Basin 24" X 24"
- PFMB3624S** - Mop Service Basin 24" X 36"
- PFMB2424** - Mop Service Basin 24" X 24" with integral molded drain
- PFBG24S** - 24" Stainless Steel Bumper Guard
- PFBG36S** - 36" Stainless Steel Bumper Guard
- PFBG24V** - 24" Vinyl Bumper Guard
- PFBG36V** - 36" Vinyl Bumper Guard
- PFWG24S** - 24" Stainless Steel Wall Guard
- PFWG36S** - 36" Stainless Steel Wall Guard
- PFMBQD** - Pipe reducer for PVC Drain (3" to 2")

Molded high density composite basin. Stainless Steel drain body.
Stainless steel dome strainer/lint basket.
36" model includes integrally molded, self-draining mop shelf.

Part #	Description
PFMBDRN	3" PVC Drain Assembly F/PFMB
PFMBSSDRN	3" SS Drain Assembly F/PFMB
PF245	Mop Hanger
PFSSHE	Service Hose
PF296	Service Hose Bracket



PFBS Series Shower Receptors

Molded high density composite basin.

- PFBS3232WH** - 32X32 Shower Floor with Strainer
- PFBS3434WH** - 34X34 Shower Floor with Strainer
- PFBS3636NEOWH** - 36X36 NEO Shower Floor with Strainer
- PFBS3636WH** - 36X36 Shower Floor with Strainer
- PFBS4234WH** - 42X34 Shower Floor with Strainer
- PFBS4242WH** - 42X42 Shower Floor with Strainer
- PFBS4832WH** - 48X32 Shower Floor with Strainer
- PFBS4834WH** - 48X34 Shower Floor with Strainer
- PFBS5434WH** - 54X34 Shower Floor with Strainer
- PFBS6034WH** - 60X34 Shower Floor with Strainer

Part #	Description
PFBSSTR	Strainer F/PFSB Series White
PFBSGSKT	Gasket F/PFSB Series

Enameled Steel Tubs

PFB14R/L - Standard Rough in

PFB16R/L - Above Floor Rough in

Enameled steel bathtub. High gloss, stain resistant porcelain finish. Foam bottom support pad.



PROFLO "S" Series Enameled Steel Tubs

PFB14RS/LS - Standard Rough in

PFB16RS/LS - Above Floor Rough in

Elastomer backing. Improved sound deadening, heat retention and impact resistance.



PROFLO "S2" Series Enameled Steel Tubs

PFB14RS2/LS2 - Standard Rough in

PFB16RS2/LS2 - Above Floor Rough in

High-density molded backing. Superior sound deadening, heat retention and impact resistance.



Dimensions may vary (+) or (-) 1/4".
Numbers in () are mm.

Heavy Duty Commercial Faucets



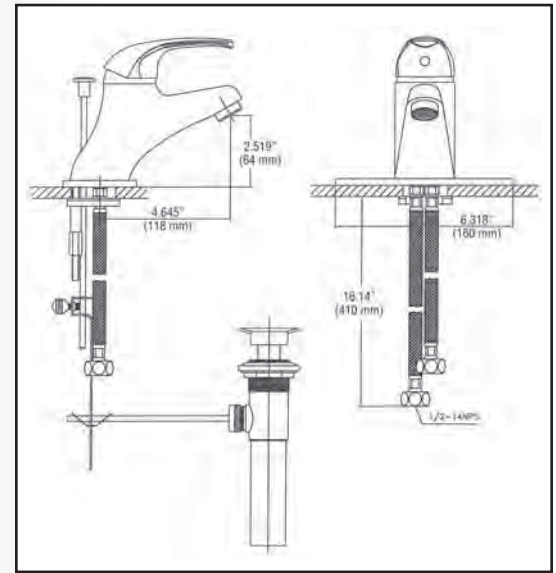
PFX100 - (with pop-up)
PFX101 - (without pop-up)

- One piece cast brass body
- Ceramic cartridge with temperature limiting device
- 1.5 GPM water saving aerator
- Less pop-up
- Durable chrome finish
- Factory tested

PFX100 available in chrome (CP) and brushed nickel (BN)

PFX101 available in chrome (CP) only

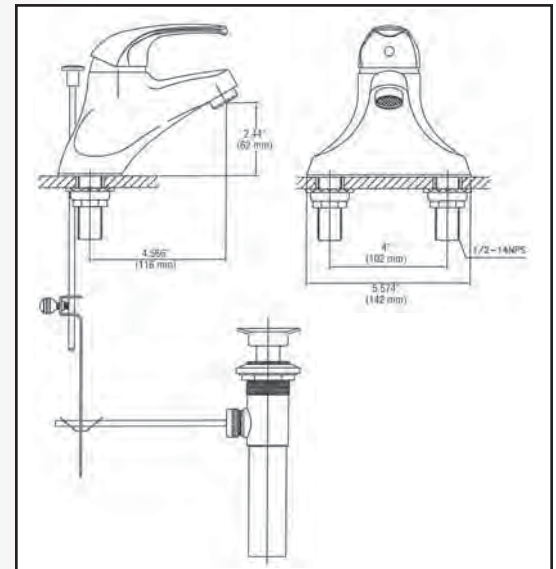
Replacement cartridge available PFCF104CRT.



PFCF104 - (with pop-up)
PFCF104L - (without pop-up)

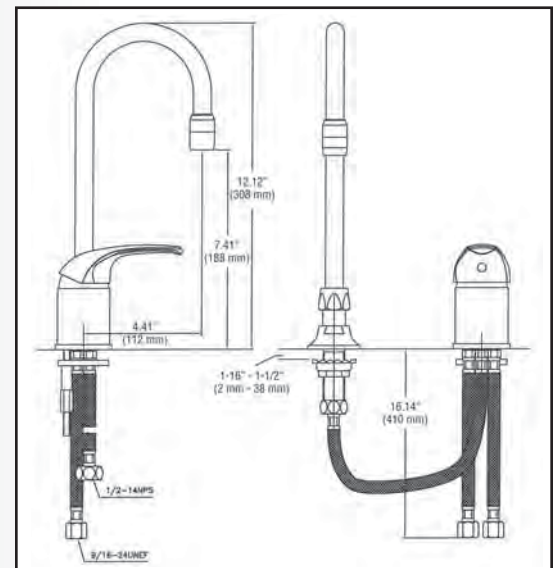
- One piece cast brass body
- Ceramic cartridge with temperature limiting device
- 1.5 GPM water saving aerator
- Metal pop-up
- Durable chrome finish
- Factory tested
- Available in chrome (CP) only

Replacement cartridge available PFCF104CRT.



PFCF110 - without pop-up

- Gooseneck spout
- Ceramic cartridge
- Flexible stainless steel supplies
- Factory tested
- Available in chrome (CP) only

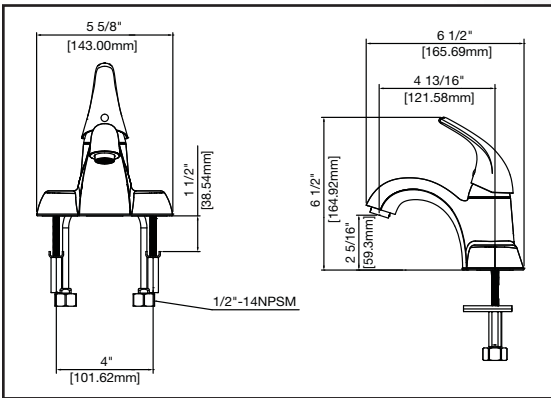


*All products listed as ADA compliant meet ADA requirements as stated in the American Disabilities Act when installed in accordance with ADA guidelines.



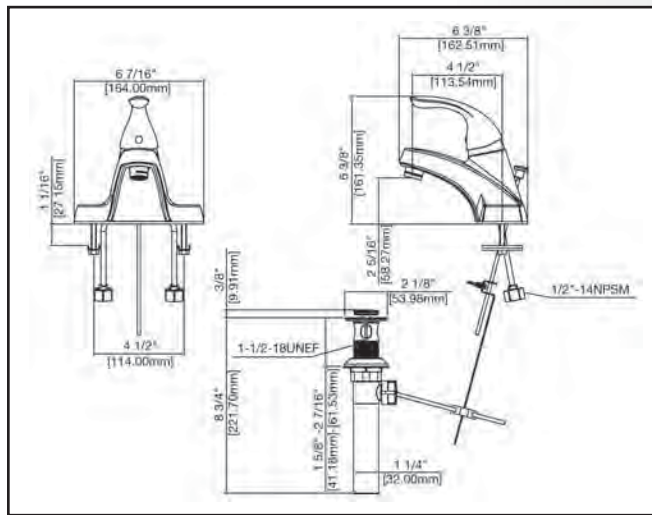
Lavatory Faucets

Dimensions may vary (+) or (-) 1/4". Numbers in () are mm.



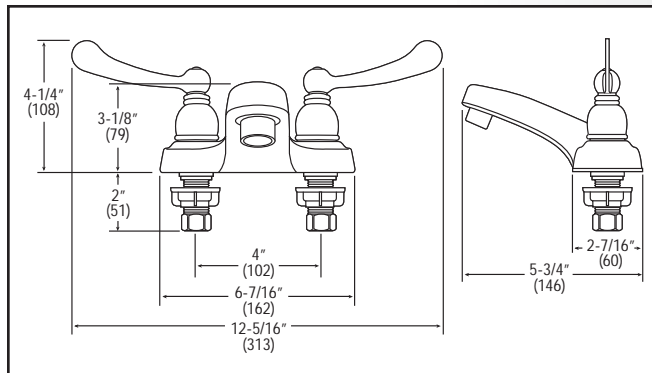
with metal pop-up **PFWS4746CP**
without pop-up **PFWS4744CP**

- Single-handle lavatory faucet
- Ceramic disc cartridge
- 4" (102mm) centerset
- Solid brass waterways
- Polished chrome finish
- 1.5 gpm water-saving aerator
- ADA compliant* lever handle
- NSF/ANSI Std. 61 compliant
- cUPC approved
- Available in Brushed Nickel (BN)



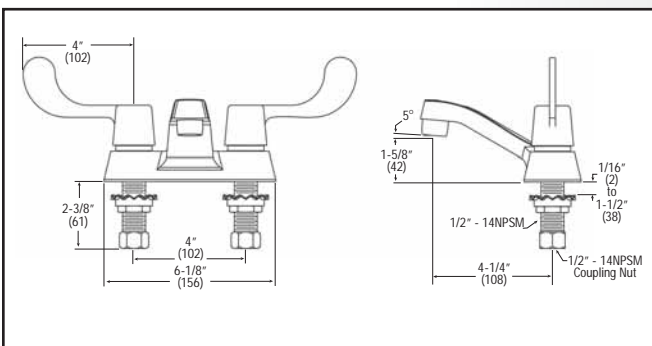
PFWS3016CP

- Single-handle lavatory faucet w/ 50/50 pop-up
- Ceramic disc cartridge
- 4" (102mm) centerset
- 1.5 gpm water-saving aerator
- ADA compliant* lever handle
- NSF/ANSI Std. 61 compliant
- cUPC approved
- Available in Brushed Nickel (BN)



PFL1012M with grid drain **PFWS1012M**
PFL1002M less drain **PFWS1002M**

- Two-handle lavatory faucet; washerless design
- 4" (102mm) centerset
- Solid brass waterways with metal housing
- Polished chrome finish
- 2.0 gpm / WS 1.5 gpm water saving aerator
- 1/2" (12.7mm) MPT connections
- ADA compliant* lever handle
- NSF/ANSI Std. 61 compliant
- cUPC approved



PFCF204 **PFCF204**

- Heavy-duty, two-handle lavatory faucet
- 4" (102mm) centerset, cast brass
- Ceramic cartridge with brass stems
- Polished chrome finish
- 2.0 gpm water saving aerator
- Vandal-resistant screws and color-indexed caps
- ADA compliant* wrist blade handles
- Optional vandal resistant aerator **PFCFVRMAER**

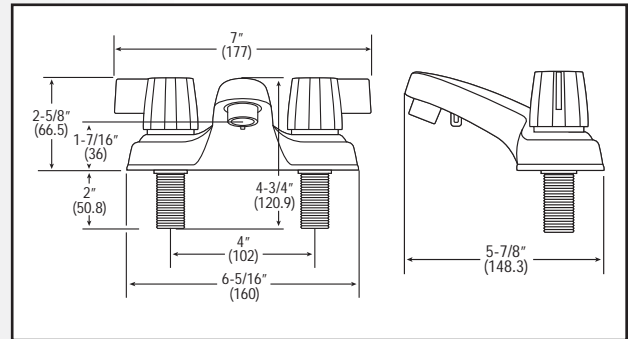


Dimensions may vary (+) or (-) 1/4". Numbers in () are mm.

Lavatory Faucets



- LOW LEAD COMPLIANT**
- less pop-up **PFWS1002ML**
with metal pop-up **PFWS1012ML**
- Two-handle lavatory faucet
 - 4" (102mm) centerset; durable chrome finish
 - Washerless design and solid brass waterways with metal housing
 - 2.0 gpm water saving aerator
 - ADA compliant* metal blade handles
 - NSF/ANSI Std. 61 compliant
 - cUPC approved



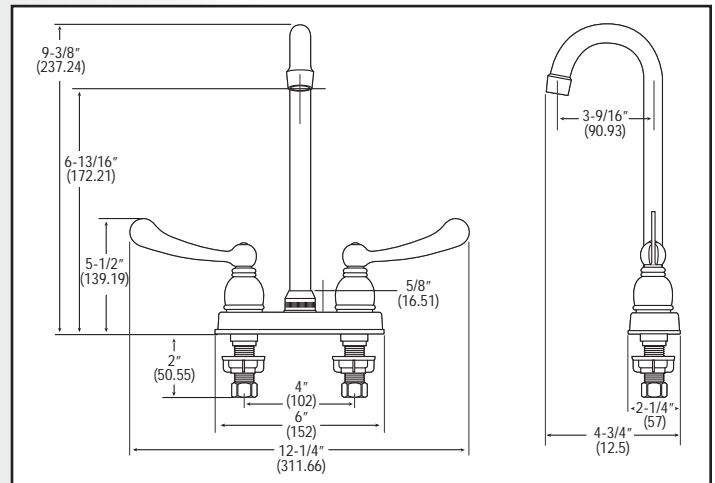
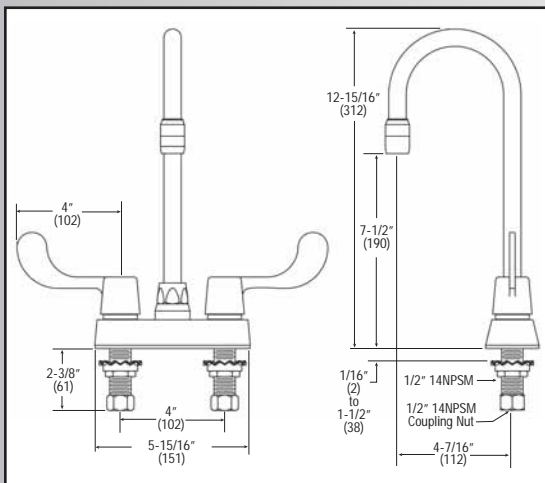
Bar Faucets



- LOW LEAD COMPLIANT**
- PFCFB204** **PFXCFB204**
- Heavy-duty, two-handle bar faucet
 - 4" (102mm) centerset, cast brass
 - Swivel gooseneck spout
 - Ceramic cartridge with brass stems
 - Polished chrome finish
 - 2.0 gpm water saving aerator
 - Vandal-resistant screws and color-indexed caps
 - ADA compliant* wrist blade handles
 - Optional vandal resistant aerator PFCFVRAER



- LOW LEAD COMPLIANT**
- PFWS336M**
- Two-handle bar faucet
 - Washerless design
 - Solid brass waterways
 - Polished chrome finish
 - 4" (102mm) centerset
 - 9 3/8" (238mm) spout
 - 2.0 gpm water saving aerator
 - 1/2" (12.7mm) MPT connections
 - ADA compliant* metal wing handles
 - cUPC approved



*All products listed as ADA compliant meet ADA requirements as stated in the American Disabilities Act when installed in accordance with ADA guidelines.



Kitchen Faucets

Dimensions may vary (+) or (-) 1/4". Numbers in () are mm.



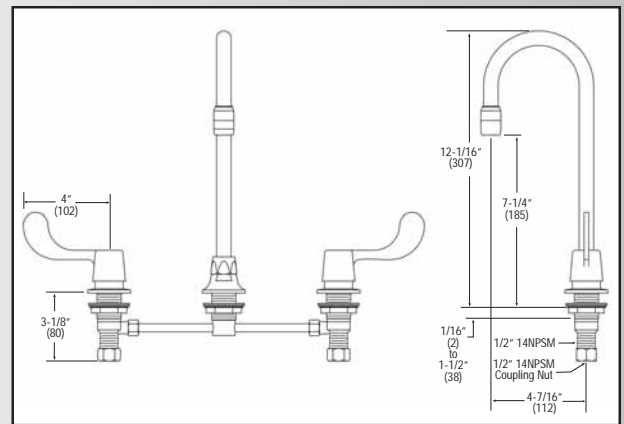
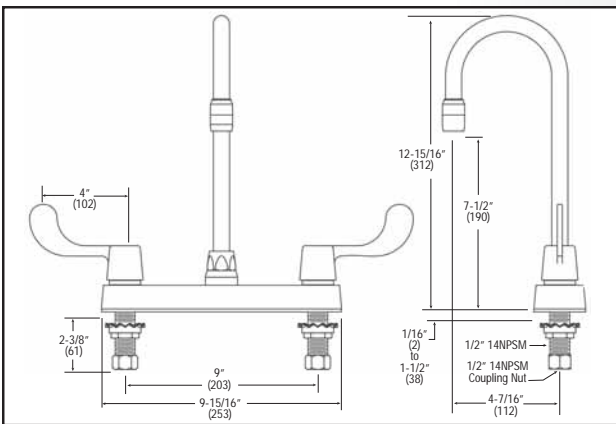
PFCF208 4" spout **PFCF208**
PFCF218 8" spout

- Heavy-duty, two-handle faucet
- 8" (203mm) centerset, cast brass
- Ceramic cartridge with brass stems
- Polished chrome finish
- 2.0 gpm water saving aerator
- Vandal-resistant screws and color-indexed caps
- ADA compliant* wrist blade handles
- Optional vandal resistant aerator **PFCFVRAER**
- cUPC approved



PFCFU208 4" spout **PFCFU208**
PFCFU218 8" spout

- Heavy-duty, two-handle faucet
- 6 - 12" (152.4 - 304.8mm) undermount, cast brass
- Ceramic cartridge with brass stems
- Polished chrome finish
- 2.0 gpm water saving aerator
- Vandal-resistant screws and color-indexed caps
- ADA compliant* wrist blade handles
- Optional vandal resistant aerator **PFCFVRAER**
- cUPC approved



PFXC4111

- Single-handle kitchen faucet
- Ceramic disc cartridge
- 8" (203mm) centerset
- 1.5 gpm water saving aerator
- ADA compliant* metal lever handle
- NSF/ANSI Std. 61 compliant
- cUPC approved
- Available in chrome and brushed nickel finishes



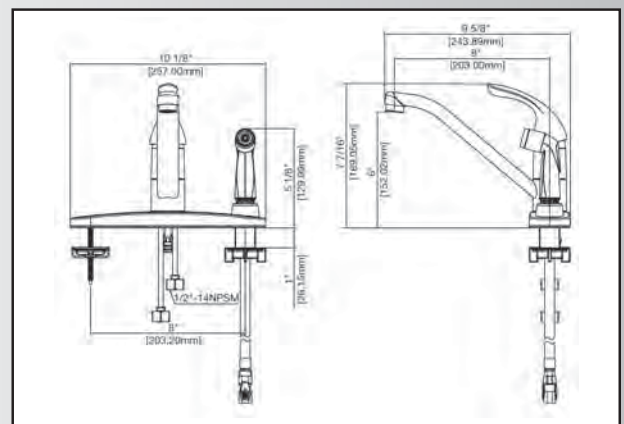
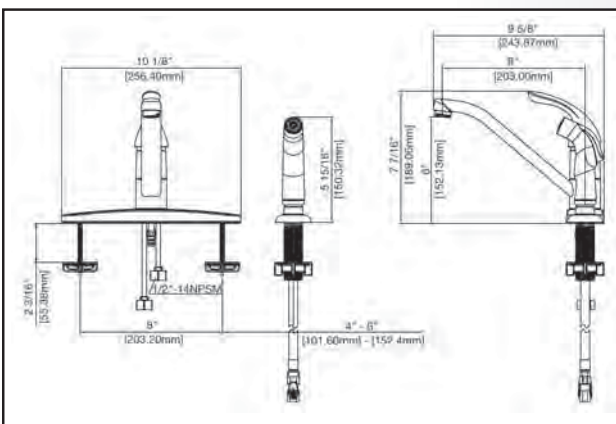
PFX2021M

PFXC3121CP - Black side spray on deck

PFXC4121CP - Color match side spray on deck

PFXC4121BN - Color match side spray on deck

- Single-handle kitchen faucet
- With spray on deck; 8" (203mm) centerset
- Ceramic disc design; copper waterways
- 1.5 gpm water saving aerator
- 1/2" (12.7mm) MPT connections
- ADA compliant* metal lever handle
- NSF/ANSI Std. 61 compliant
- cUPC approved



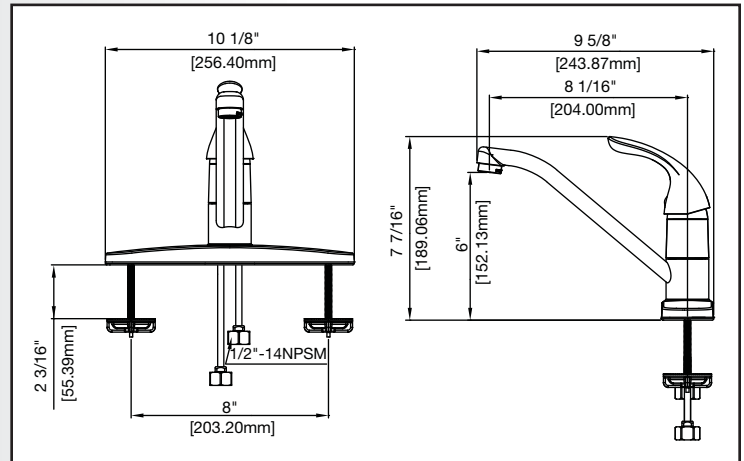
Dimensions may vary (+) or (-) 1/4". Numbers in () are mm.

Kitchen Faucets



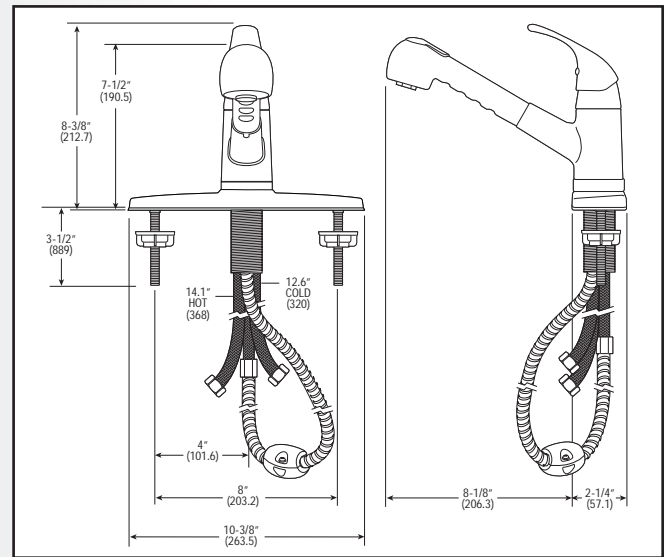
PFXC3101CP - Chrome

- Single-handle kitchen faucet
- Ceramic disc cartridge
- 8" (203mm) centerset
- 1.5 gpm water saving aerator
- ADA compliant* metal lever handle
- CSA approved
- NSF/ANSI Std. 61 compliant



PFXC5150

- Chrome single-handle kitchen faucet w/ pull-out spray
- Internal vacuum breaker construction
- Ceramic disc cartridge
- Flexible connectors
- 1.5 gpm water-saving aerator
- ADA compliant* lever handle
- CSA approved
- NSF/ANSI Std. 61 compliant
- Available in chrome, brushed nickel and oil rubbed bronze finishes

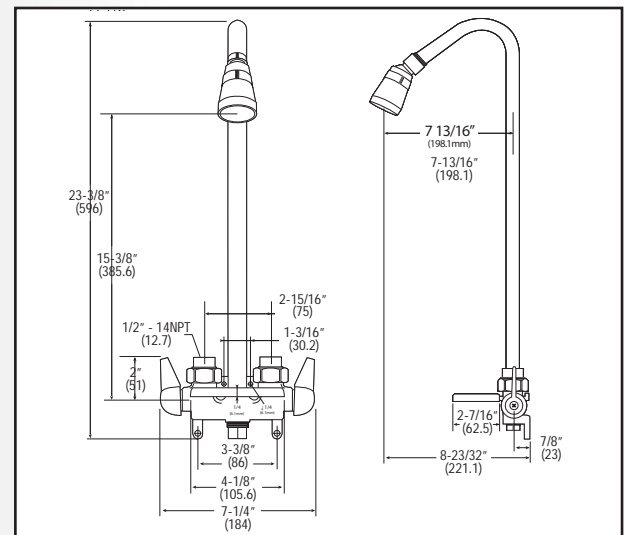


Service Faucets



PF418

- Rough brass body
- 3-3/8" (86mm) centerset; combination union inlet 1/2" (12.7mm) threaded or solder
- Polished chrome finish
- Solid brass waterways; renewable seats and stems; CP brass body
- ADA compliant* lever handles



*All products listed as ADA compliant meet ADA requirements as stated in the American Disabilities Act when installed in accordance with ADA guidelines.



Service Faucets

Dimensions may vary (+) or (-) 1/4". Numbers in () are mm.

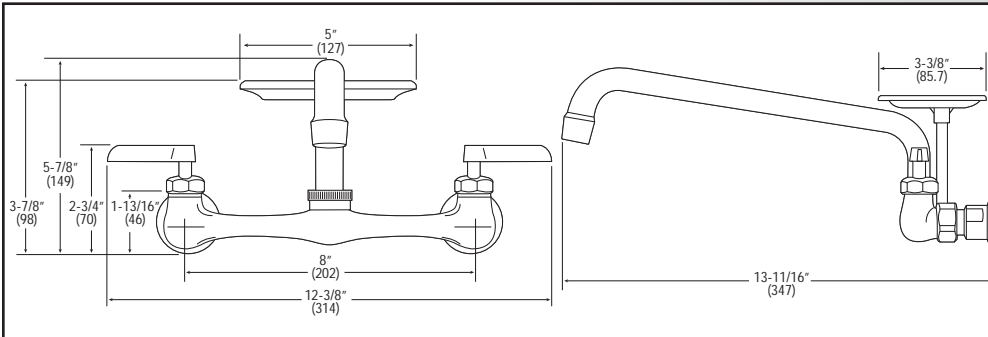
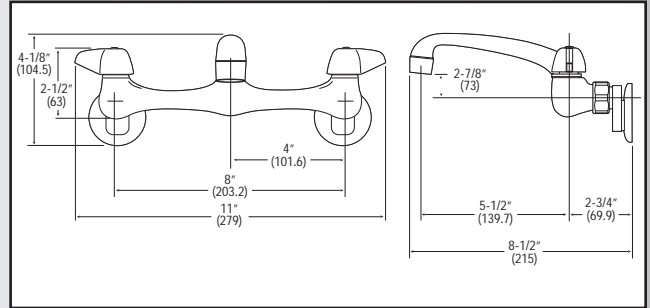


PF800

- Swing spout
- Adjustable center 7" to 9" (178 to 229mm), solid brass waterways; renewable seats and stems
- Polished chrome finish
- 6" (152mm) cast brass spout w/ water-saving aerator
- ADA compliant* lever handles



PFX800



PF80012 12" (304.8mm) spout PFX80012

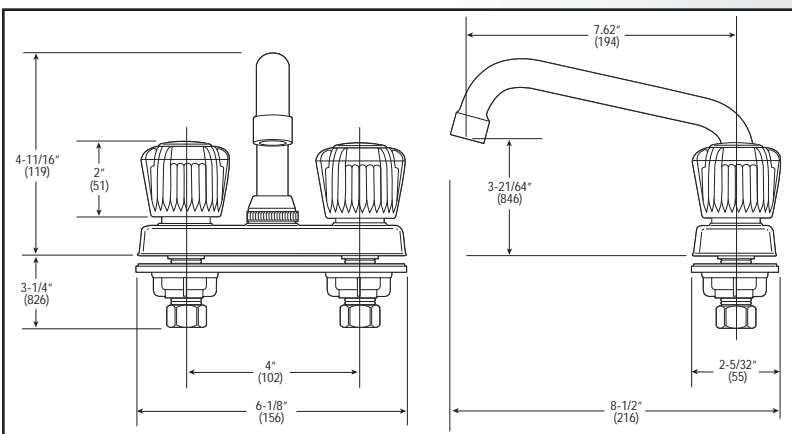
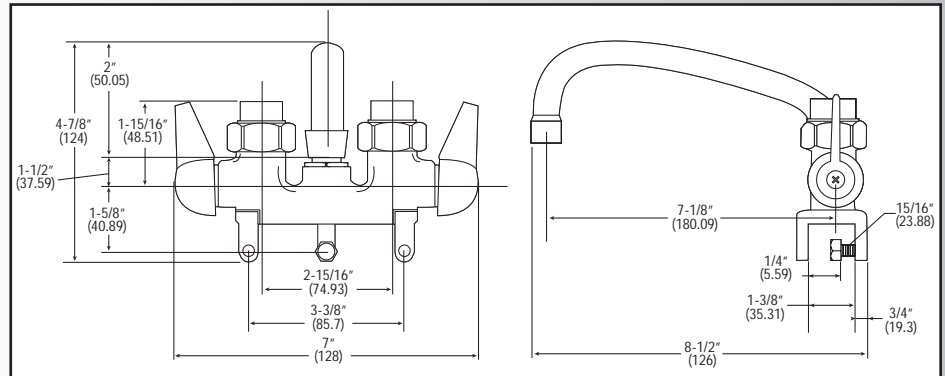
PF800U 6" (152.4mm) spout PFX800U

- 8" (203.2mm) centers
- Polished chrome finish
- Cast brass spout; water-saving aerator
- Soap dish
- ADA compliant* lever handles



PF244

- Laundry faucet
- Rough brass body w/ 3-3/8" (85.7mm) centers
- Clamp-type mounting; solid brass body and waterways; renewable seats and stems
- Polished chrome handles
- ADA compliant* lever handles



PFX7002A - acrylic handles

PFX7002M - metal lever handles

- 4" (102mm) centerset
- 8" (203.2mm) spout with washerless design
- Aerator or hose thread connection
- Polished chrome finish
- NSF/ANSI Std. 61 compliant
- cUPC approved

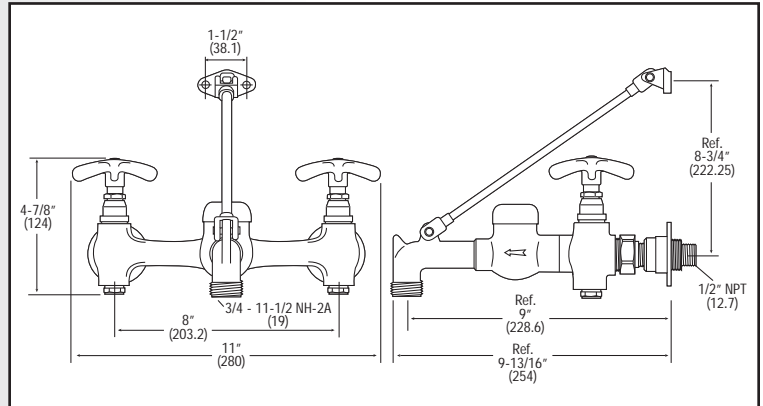


Dimensions may vary (+) or (-) 1/4". Numbers in () are mm.

Service Faucets

PF1118

- 3/4" (19mm) hose thread on spout
- With wall base, vacuum breaker, integral stops
- Solid brass waterways; renewable seats and stems
- Chrome finish
- CUPC / ASSE approval

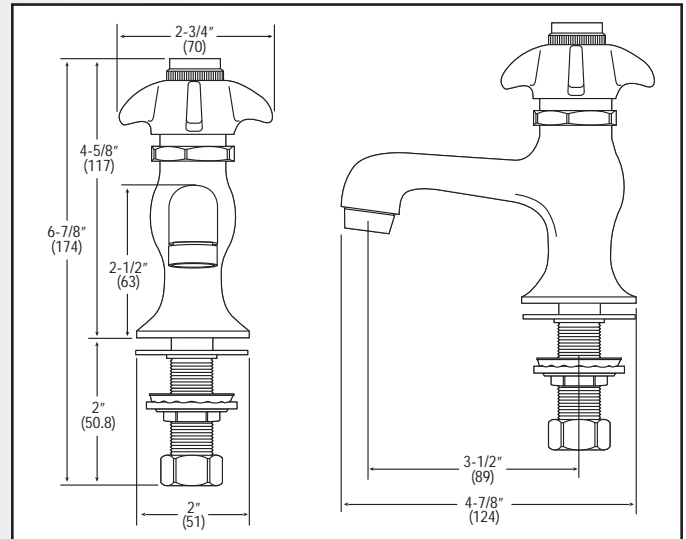


PF750

- Chrome-plated brass finish
- Heavy duty
- Self-closing basin
- Solid brass waterways; renewable seats and stems

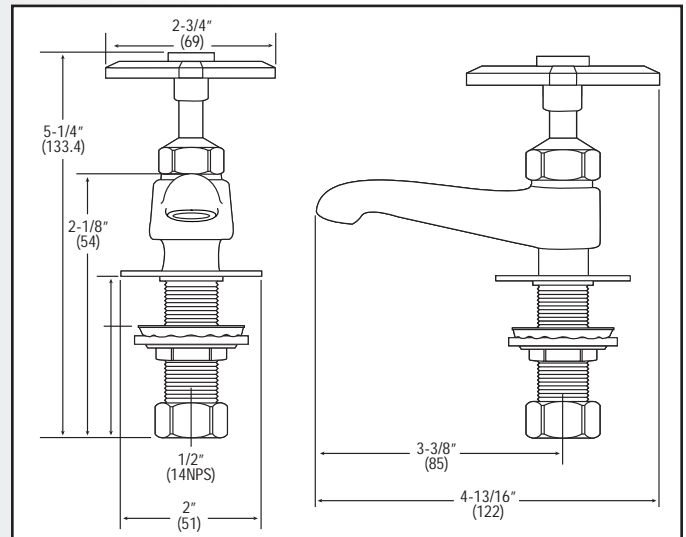


PFX750



PF300

- Chrome-plated brass finish
- Includes hot and cold index buttons
- 1/2" (12.7mm) single base
- Solid brass waterways; renewable seats and stems



Bath and Shower Accessories

Dimensions may vary (+) or (-) 1/4". Numbers in () are mm.



- PF14BSBN** - brushed nickel
PF14BSCP - chrome
- Slide bar with 7/8" (22.2mm) brass bar
 - 22-1/2" (572mm) slide bar for adjustable handshower (handshower not included)
 - Handshower slides up and down bar to customize spray height
 - Use with handshower kits **PF14510**, **PF14310**, **PF14110**
 - Screws and anchors included
 - ADA compliant*



- PF14510CP** - chrome plated
PF14510BN - brushed nickel
- Adjustable spray hand-held shower
 - Five functions - drenching combination massage, heavy and light sprays
 - Flexclean™ eliminates clogging and corrosion
 - Includes handshower mounting hardware, 60" (1524mm) Meraflex II™ hose
 - 1.75 gpm
 - ADA compliant*



- PF14110WH** - white
- Heavy spray hand-held shower
 - Flexclean™ eliminates clogging and corrosion
 - Includes handshower mounting hardware, 60" (1524mm) vinyl hose
 - 1.75 gpm
 - ADA compliant*



- PF14310CP** - chrome plated
- Adjustable spray hand-held shower
 - Three functions - massage, heavy and light sprays
 - Flexclean™ eliminates clogging and corrosion
 - Includes handshower mounting hardware, 60" (1524mm) Meraflex II™ hose
 - 1.75 gpm
 - ADA compliant*



- 1-3/4" (38mm) stainless steel grab bar
- 18-gauge 304 stainless steel bar
- 14-gauge 304 stainless steel flange
- #10 x 2" (50.8mm) self-tapping stainless steel screws
- Must be attached to wall stud
- ADA compliant*



- PFSCR60** - 5ft. (1524mm) - chrome
PFSCR72 - 6ft. (1829mm) - chrome
PFSRFCP - flange kit
- Straight shower rod
 - Made of aluminum
 - Shower rod flange kit sold separately

Satin Finish	Peened Finish	Length
PFGB12SF	PFGB12PF	12" (304.8mm)
PFGB16SF	PFGB16PF	16" (406.4mm)
PFGB18SF	PFGB18PF	18" (457.2mm)
PFGB24SF	PFGB24PF	24" (609.6mm)
PFGB30SF	PFGB30PF	30" (762mm)
PFGB32SF	PFGB32PF	32" (812.8mm)
PFGB36SF	PFGB36PF	36" (914.4mm)
PFGB42SF	PFGB42PF	42" (1066.8mm)
PFGB48SF	PFGB48PF	48" (1219.2mm)



- PFCSRH60CP** - chrome plated
PFCSRH60BN - brushed nickel
- Curved shower rod fits 5 ft. (1524mm) shower
 - Flange kit included: hardware included for installation into sheetrock, tile and wood
 - Adds 9" (229mm) elbow room (25% more shower area)
 - Fits all standard shower curtains
 - Made of 22-gauge 445 stainless steel



- PFCSRFLG** - Replacement flange kit



*All products listed as ADA compliant meet ADA requirements as stated in the American Disabilities Act when installed in accordance with ADA guidelines.

Dimensions may vary (+) or (-) 1/4". Numbers in () are mm.

Access Doors



- PF88SSAD** - 8" x 8" (203.2mm x 203.2mm) stainless steel universal access door
- PF1010SSAD** - 10" x 10" (254mm x 254mm) stainless steel universal access door
- PF1212SSAD** - 12" x 12" (304.8mm x 304.8mm) stainless steel universal access door
- PF88AD** - 8" x 8" (203.2mm x 203.2mm) steel universal access door, white
- PF1010AD** - 10" x 10" (254mm x 254mm) steel universal access door, white
- PF1212AD** - 12" x 12" (304.8mm x 304.8mm) steel universal access door, white
- PF1414AD** - 14" x 14" (355.6mm x 355.6mm) steel universal access door, white
- PF1616AD** - 16" x 16" (406.4mm x 406.4mm) steel universal access door, white
- PF1818AD** - 18" x 18" (457.2mm x 457.2mm) steel universal access door, white
- PF2424AD** - 24" x 24" (609.6mm x 609.6mm) steel universal access door, white

- One-piece construction
- Concealed pivoting rod hinge
- 16-gauge stainless steel or prime-coat finished steel
- Not approved for fire rated applications

Sink and Drain Accessories



PFSSHE

- Service sink hose
- 5/8" x 30" (15.9mm x 762mm)
- 3/4" (19mm) hose thread connection



PFPTB502 - 1-1/2" x 1-1/2" (38.1mm x 38.1mm)
Includes 1-1/4" x 1-1/2" (31.8mm x 38.1mm) washer

PFPTB503 - 1-1/2" x 1-1/2"
(38.1mm x 38.1mm) w/o cleanout

PFPTB500 - 1-1/4" x 1-1/2" (31.8mm x 38.1mm)
PFPTB501 - 1-1/4" x 1-1/2" (31.8mm x 38.1mm)
w/o cleanout

- Chrome-plated finish
- Cast brass
- Ground joint swivel
- Solid brass nuts with clean out
- 17-gauge



PFPTB400 - 1-1/2" x 1-1/4" (38.1mm x 31.8mm)

PFPTB401 - 1-1/4" x 1-1/2" (31.8mm x 38.1mm)

PFPTB403 - 1-1/4" x 1-1/4" (31.8mm x 31.8mm)

PFPTB402 - 1-1/4" x 1-1/2" (31.8mm x 38.1mm)

- Polished chrome cast brass
- 17-gauge wall bend and deep escutcheon
- Solid brass nuts w/cleanout



PFOD100

- 1-1/2" (38.1mm) offset tail piece for sink
- 17-gauge
- Heavy duty



PF151CP

- Chrome-plated finish
- 3-1/2" (88.9mm) premium basket strainer
- Forged heavy brass body



PFWTS

- Stainless steel
- Flat top strainer
- Chrome-plated body
- Grid fits 3-1/2" (88.9mm) opening

Sink and Drain Accessories

Dimensions may vary (+) or (-) 1/4". Numbers in () are mm.

PF002 - 2" (50.8mm) IPS outlet
PF003 - 3" (76.2mm) IPS outlet

- Cast Iron trap with chrome-plated strainer for service sinks



PFGD100

- Heavy-duty grid drain
- 1-1/4" x 6" (31.8mm x 152.4mm) w/ overflow
- Chrome-plated finish
- Cast brass construction with 17-gauge tailpiece
- CUPC approval



PFGD101

- Heavy-duty wheelchair accessible lavatory elbow
- Chrome-plated finish
- Cast brass construction with 17-gauge tailpiece
- cUPC approval



PF200WH

- One p-trap cover - molded



PF299WH

- One angle valve, one 12" (304.8mm) supply cover - molded

PFEXT200WH

- One 16" (406.4mm) extension for drain waste arm or tailpiece - molded

PF201WH

- One p-trap cover, one angle valve, one 12" (304.8mm) supply cover - molded

PF202WH

- White three-piece p-trap and supply covers - molded

PF203WH

- One p-trap cover, two angle valve covers, two 12" (304.8mm) supply covers, one 5" (127mm) offset tailpiece, wheelchair strainer cover



PF205WH

- Offset tailpiece cover, white - molded



PFSCPTWH - white
PFSCPTBK - black

- One p-trap cover- soft



PFSCPT1SWH - white
PFSCPT1SBK - black

- One p-trap cover, one valve and supply cover- soft



PFSCPT2SOFFWH - white
PFSCPT2SOFFBK - black

- One p-trap cover, two valve and supply covers, one 5" (127mm) offset tailpiece wheelchair strainer cover- soft



PFSC1SWH - white
PFSC1SBK - black

- One valve and supply cover- soft



PFSCOFFWH - white
PFSCOFFBK - black

- 5" (127mm) offset tailpiece wheelchair strainer cover- soft



PFSCPT2SWH - white
PFSCPT2SBK - black

- One p-trap cover, two valve and supply covers - soft

- Quick, easy installation with Velcro
- Universal design fits virtually all p-trap assemblies
- Over 360 degree flexibility
- Smooth, high-gloss finish with UV
- Optional reusable non-abrasive snap fasteners offer extra tamper resistance
- PVC insulation is Class A Fire Rated and meets ASTM E84 with a 25 flame and 450 smoke rating
- ADA, IBC, ICC/ANSI and Canada-Barrier Free compliant



Dimensions may vary (+) or (-) 1/4". Numbers in () are mm.

Trap Primers and Accessories



PFTRAPID

- 1/2" (12.7mm) IPS with auto vacuum breaker, bronze



PFTRAPSD

- 1/2" (12.7mm) sweat with auto vacuum breaker, bronze



PFDPDUU

- 4 opening distribution unit without fitting, plastic body



PF1500

- 1/2" (12.7mm) auto trap primer valve
- Will prime 1 or 4 floor drains

PF2500

- 1/2" (12.7mm) auto trap primer valve
- Will prime 1 or 2 floor drains
- No adjustment required



PF127033

- 1-1/4" (31.8mm) semi-cast brass tailpiece

PF127044

- 1-1/2" (38.1mm) semi-cast brass tailpiece

Lavatory Supply Kits



PFCATT22CLKRL12 - 3/8" IPS X 3/8" IPS rigid kit loose key

PFCAT22CL12 - 3/8" IPS X 3/8" OD flex kit round wheel

PFCATT22CLKL12 - 3/8" IPS X 3/8" OD flex kit loose key

PFCAC32CL12 - 5/8" OD X 3/8" OD flex kit round wheel

PFCAC32CLKL12 - 5/8" OD COMP X 3/8" OD flex kit loose key

PFCAS32CL12 - 1/2" SWT X 3/8" OD flex kit round wheel

PFCAS32CLKL12 - 1/2" SWT X 3/8" OD flex kit loose key

PFCAZ32CL12 - 1/2" SWT W/EXT 3/8" OD flex kit round wheel

PFCAZ32CLKL12 - 1/2" SWT W/EXT 3/8" OD flex kit loose key

PFCAT32CL12 - 1/2" IPS X 3/8" OD flex kit round wheel

PFCAT32CLKL12 - 1/2" IPS X 3/8" OD flex kit loose key

PFCAT33CL12 - 1/2" IPS X 1/2" OD flex kit round wheel

- Includes flexible chrome-plated copper risers with chrome-plated steel deep flanges and chrome-plated stops
- Stops are solid brass construction with round wheel handle or loose key as noted
- NSF/ANSI Std. 61 compliant
- Available only in pairs
- CSA approved

LEAD FREE CODE

N/A

N/A

N/A

N/A

PFXCAC32CLKL12

N/A

N/A

N/A

N/A

N/A

N/A

N/A

Closet Supply Kits

Dimensions may vary (+) or (-) 1/4". Numbers in () are mm.

- PFCAT22CC12** - 3/8" IPS X 3/8" OD flex closet supply kit round wheel
- PFCAT22CLK12** - 3/8" IPS X 3/8" OD flex closet supply kit loose key
- PFCAC32CC12** - 5/8" OD X 3/8" OD flex closet supply kit round wheel
- PFCAC32CLK12** - 5/8" OD X 3/8" OD flex closet supply kit loose key
- PFCAS32CC12** - 1/2" SWT X 3/8" OD flex closet supply kit round wheel
- PFCAS32CLK12** - 1/2" SWT X 3/8" OD flex closet supply kit loose key
- PFCAZ32CC12** - 1/2" SWT w/ EXT X 3/8" OD flex closet angle supply kit

- Includes flexible chrome-plated copper risers with chrome-plated steel deep flanges and chrome-plated stops
- Stops are solid brass construction with round wheel handle or loose key as noted
- NSF/ANSI Std. 61 compliant



Heavy Pattern Supply Kits

- PFHATT22CLK12** - 3/8" IPS X 3/8" OD comm flex lav supply kit loose key
- PFHAT32CL12** - 1/2" IPS X 3/8" OD comm flex lav supply kit
- PFHAT32CLK12** - 1/2" IPS X 3/8" OD comm flex lav supply kit loose key
- PFHAT33CLK12** - 1/2" IPS X 1/2" OD comm flex lav supply kit loose key

- Lavatory kit includes flexible chrome-plated copper or rigid risers with chrome-plated steel deep flanges and chrome-plated stops
- Stops are solid brass construction with round wheel handle or loose key as noted
- NSF/ANSI Std. 61 compliant
- Available only in pairs

- PFHAT32CC12** - 1/2" IPS X 3/8" OD flex closet supply kit round wheel



ADA Lavatory Supply Kit

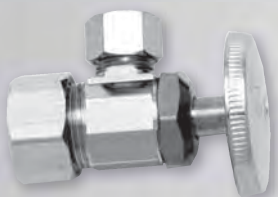
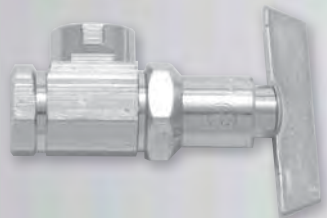
- PFCSTT22CLKWHL6** - 3/8" IPS X 3/8" IPS wheelchair kit loose key

- Stops are solid brass construction with round wheel handle or loose key as noted
- NSF/ANSI Std. 61 compliant



Dimensions may vary (+) or (-) 1/4". Numbers in () are mm.

Individual Stops



- PFCATT22CLK** - 3/8" IPS X 3/8" IPS angle stop loose key
PFCAT22C - 3/8" IPS X 3/8" OD angle stop round wheel
PFCAT22CLK - 3/8" IPS X 3/8" OD angle stop loose key
PFCATT33CLK - 1/2" IPS X 1/2" IPS angle stop loose key
PFCAT32C - 1/2" IPS X 3/8" OD angle stop round wheel
PFCAT32CLK - 1/2" IPS X 3/8" OD angle stop loose key
PFCAT33C - 1/2" IPS X 1/2" OD angle stop round wheel
PFCAC32C - 5/8" OD X 3/8" OD angle stop round wheel
PFCAC32CLK - 5/8" OD X 3/8" OD angle stop loose key
PFCAS32C - 1/2" SWT X 3/8" OD angle stop round wheel
PFCAS32CLK - 1/2" SWT X 3/8" OD angle stop loose key
PFCAZ32C - 1/2" SWT W/EXT X 3/8" OD angle stop round wheel
PFCAZ32CLK - 1/2" SWT W/EXT X 3/8" OD angle stop loose key

- Solid brass construction and chrome-plated with round wheel handle or loose key as noted
- NSF/ANSI Std. 61 compliant

LEAD FREE CODE

	N/A
	N/A
	N/A
	N/A
PFXCAT32C	
PFXCAT32CLK	
PFXCAT33C	
PFXCAC32C	

N/A

N/A

N/A

N/A

N/A

N/A

N/A

N/A

N/A

N/A

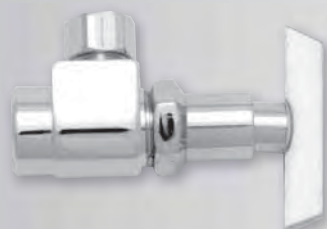
N/A

N/A

N/A

N/A

Heavy Individual Stops



- PFHAT32C** - 1/2" IPS X 3/8" OD angle stop round wheel
PFHAT32CLK - 1/2" IPS X 3/8" OD angle stop loose key
PFHAT33CLK - 1/2" IPS X 1/2" OD angle stop loose key
PFHAC32CLK - 5/8" OD X 3/8" OD angle stop loose key

- Solid brass construction and chrome-plated with round wheel handle or loose key as noted
- NSF/ANSI Std. 61 compliant

Water Hammer Arrestors

Dimensions may vary (+) or (-) 1/4". Numbers in () are mm.

Dimensions (Inches)

Size	SWA (Sweat)		SC (MNPT)			
	A	B	A	B	C	TPI
1/2	0.728	5.601	0.630	5.394	-	14
3/4	0.807	5.601	0.650	7.539	-	14
1	0.984	7.784	0.810	8.150	-	11
1-1/4	1.100	8.315	0.880	10.786	9.906	11
1-1/2	-	-	0.940	11.466	10.526	11
2	-	-	0.890	14.841	13.951	11

- FNWSWA500** - copper sweat 1/2" (12.7mm)
- FNWSWA750** - copper sweat 3/4" (19mm)
- FNWSWA1000** - copper sweat 1" (25.4mm)
- FNWSWA1250** - copper sweat 1-1/4" (31.8mm)

- FNWSC500** - male NPT 1/2" (12.7mm)
- FNWSC750** - male NPT 3/4" (19mm)
- FNWSC1000** - male NPT 1" (25.4mm)
- FNWSC1250** - male NPT 1-1/4" (31.8mm)
- FNWSC1500** - male NPT 1-1/2" (38.1mm)
- FNWSC2000** - male NPT 2" (50.8mm)

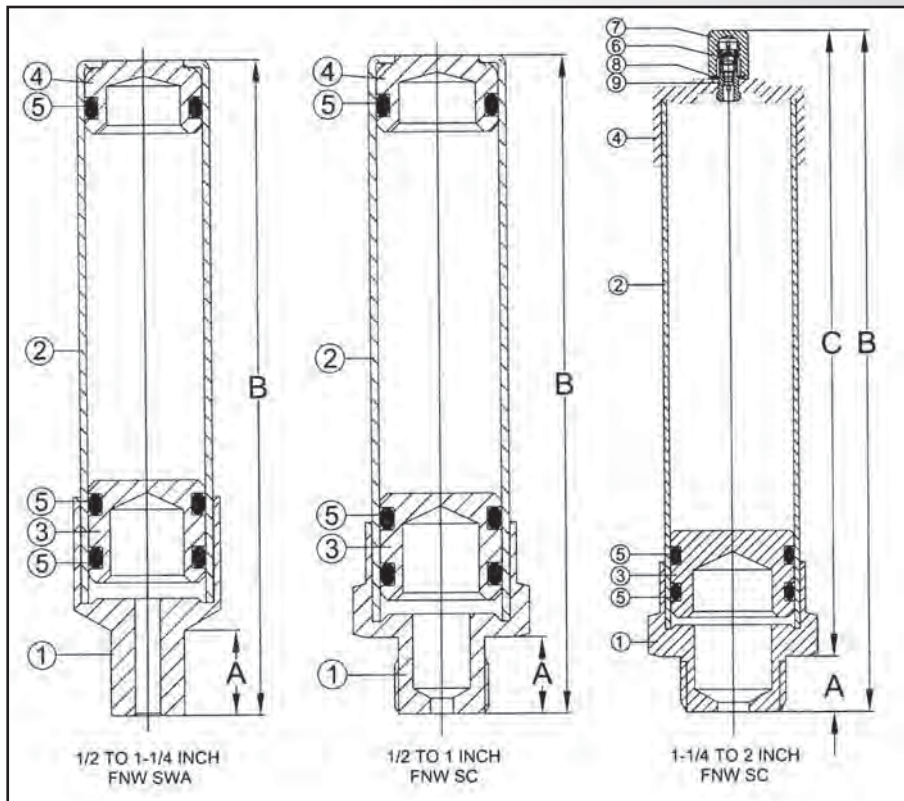
LEAD FREE CODES

- FNWXSC500**
- FNWXSC750**
- FNWXSC1000**
- FNWXSC1250**
- FNWXSC1500**
- FNWXSC2000**

Standard Materials

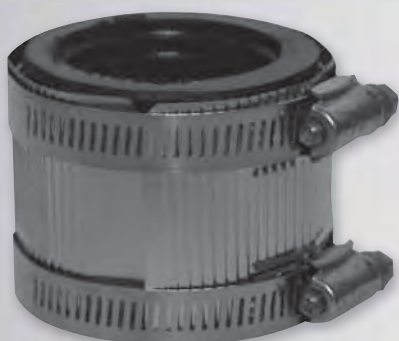
Ref. No.	Description	Material	Qty
1	Body	Brass JIS3602	1
2	Cylinder	Copper C12200	1
3	Piston	Brass JIS3602	1
4	Cylinder Cap	Brass JIS3602	1
5	O-ring	EPDM	2 (3 on SWA)
6	Valve	Stainless Steel	1 (SC Only)
7	Valve Cap	Brass JIS3602	1 (SC Only)
8	Cap O-ring	EPDM	1 (SC Only)
9	Retainer	Brass JIS3602	1 (SC Only)

- Max. pressure: 600 PSI
- Working pressure: 60 to 400 PSI
- Temperature: - 33°F to 180°F (0.6°C to 86.7°C)
- Low lead brass
- Vertical or horizontal installation
- Can be installed in systems without need for access panels
- ASSE 1010-2004 listed
- cIAMPO listed (cUPC)



Dimensions may vary (+) or (-) 1/4". Numbers in () are mm.

No-Hub Couplings



- PFNHCJ** - 1-1/2" (38.1mm) standard duty
- PFNHCK** - 2" (50.8mm) standard duty
- PFNHCM** - 3" (76.2mm) standard duty
- PFNHCP** - 4" (101.6mm) standard duty
- PFNHCS** - 5" (127mm) standard duty
- PFNHCU** - 6" (152.4mm) standard duty
- PFNHCX** - 8" (203.2mm) standard duty
- PFNHC10** - 10" (254mm) standard duty
- PFNHRCKJ** - 2" X 1-1/2" (50.8mm x 38.1mm) reducing
- PFNHRCKM** - 3" X 2" (76.2mm x 50.8mm) reducing
- PFNHRCPM** - 4" X 3" (101.6mm x 76.2mm) reducing

- 1/2" (12.7mm) and 9/16" (14.3mm) band widths with 5/16" (7.9mm) hex-head screw applies 60 in.-lbs. of installation torque to the band/shield assembly
- NSF Compliant



- PFNHHMDCJ** - 1-1/2" (38.1mm) medium duty, yellow w/ 5/16" (7.9mm) screw
- PFNHHMDCX** - 2" (50.8mm) medium duty, yellow w/ 5/16" (7.9mm) screw
- PFNHHMDCM** - 3" (76.2mm) medium duty, yellow w/ 5/16" (7.9mm) screw
- PFNHHMDCP** - 4" (101.6mm) medium duty, yellow w/ 5/16" (7.9mm) screw
- PFNHHMDCS** - 5" (127mm) medium duty, yellow w/ 5/16" (7.9mm) screw
- PFNHHMDCU** - 6" (152.4mm) medium duty, yellow w/ 5/16" (7.9mm) screw
- PFNHHMDCX** - 8" (203.2mm) medium duty, yellow w/ 5/16" (7.9mm) screw
- PFNHHMDC10** - 10" (254mm) medium duty, yellow w/ 5/16" (7.9mm) screw

- 5/16" (7.9mm) hex-head screw is designed to apply the full load of 80 in.-lbs. of installation torque to the band/shield assembly
- CSA approved



- PFNHHDCJ** - 1-1/2" (38.1mm) heavy duty, green w/ 3/8" (9.5mm) screw
- PFNHHDCX** - 2" (50.8mm) heavy duty, green w/ 3/8" (9.5mm) screw
- PFNHHDCM** - 3" (76.2mm) heavy duty, green w/ 3/8" (9.5mm) screw
- PFNHHDCP** - 4" (101.6mm) heavy duty, green w/ 3/8" (9.5mm) screw
- PFNHHDCS** - 5" (127mm) heavy duty, green w/ 3/8" (9.5mm) screw
- PFNHHDCU** - 6" (152.4mm) heavy duty, green w/ 3/8" (9.5mm) screw
- PFNHHDCX** - 8" (203.2mm) heavy duty, green w/ 3/8" (9.5mm) screw
- PFNHHDC10** - 10" (254mm) heavy duty, green w/ 3/8" (9.5mm) screw
- PFNHWBC12** - 12" (304.8mm) heavy duty, green w/ 3/8" (9.5mm) screw
- PFNHWBC15** - 15" (381mm) heavy duty, green w/ 3/8" (9.5mm) screw

- 3/8" (9.5mm) hex head screw is designed to apply the full load of 80 in.-lbs. of installation torque to the band/shield assembly
- CSA approved

Conforms to CISPI 310 and comply with ASTM, C564, ASTM C1277, IAMPO file #3198, Commonwealth of Massachusetts CMR-248 and City of New York MEA 253-98-E. Gaskets are made from an elastomeric compound that meets the requirements of ASTM C564.



Green Solutions

For more information on PROFLO products

PROFLO.com

we sell

